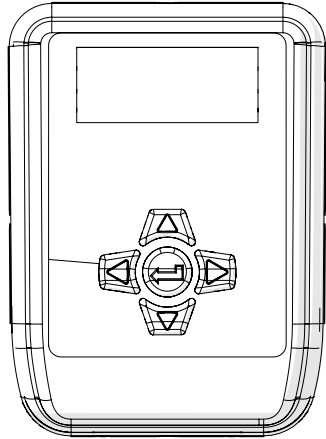




FORMULA SELECTOR MODULE

MULTIPLEX ACCESSORY



Description

Formula Selector Module - Efficient & Reliable Dosing Control

This accessory serves as a versatile and reliable interface designed to seamlessly connect industrial washing machines with the Multiplex dosing system.

- Enables the laundry operator to select the wash formula for each individual washer
- Note: this accessory is not required when the Multiplex system is configured in Automatic Formula Select mode

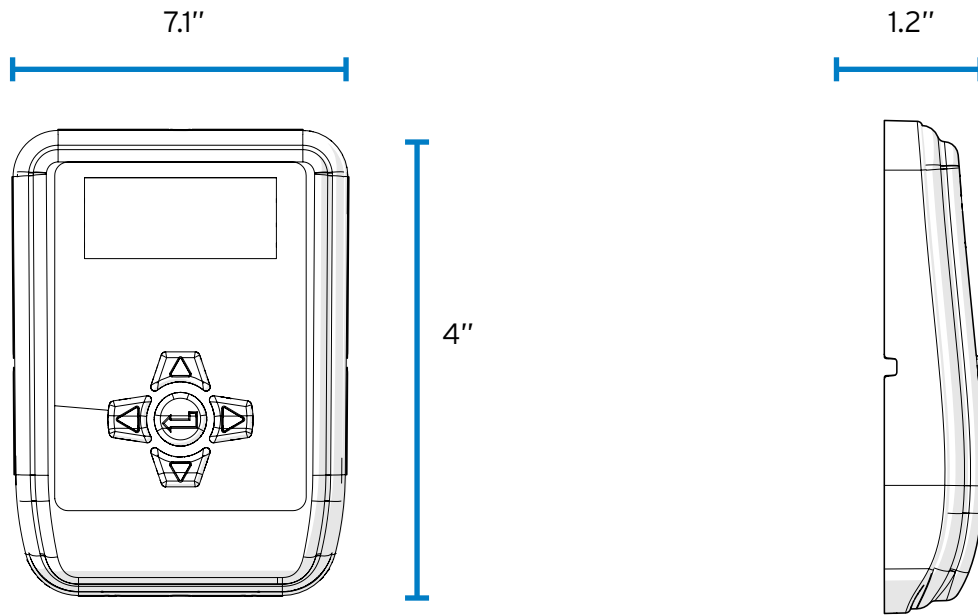
Technical Specifications

| | Value |
|-----------|--|
| MATERIALS | Cover: Translucent ABS Backing: GPBB 30% bead Buttons: TPE |
| FORMULAS | Up to 200 formulas |
| VOLTAGE | 24V DC |
| CONNECTOR | 4 way |

Details

| Part Code | Description | Width | Height |
|-----------|----------------------------|-------|--------|
| A500FSMP | MULTIPLEX FORMULA SELECTOR | 7.1" | 4" |

Diagram



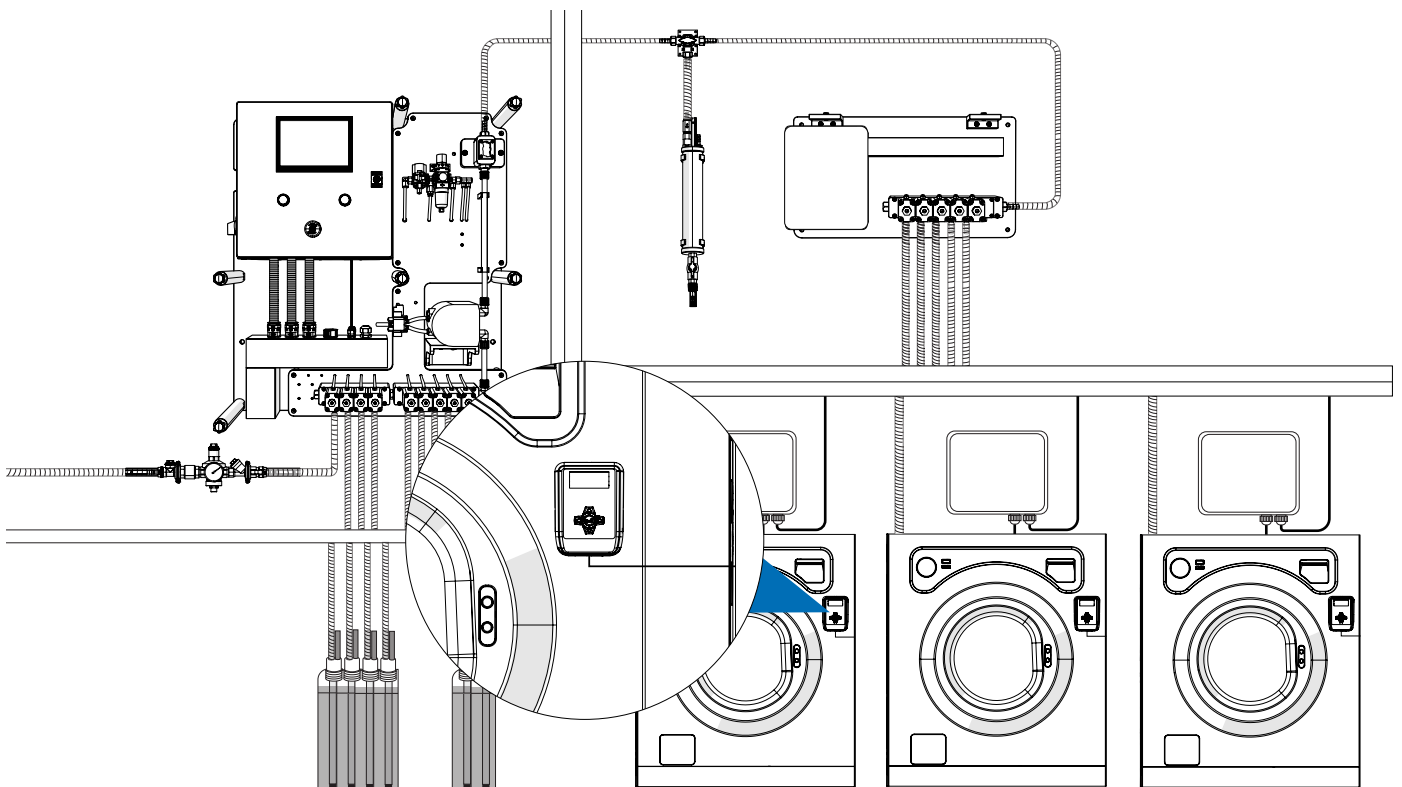
Dimensions (inches)

| Width | Height | Depth |
|-------|--------|-------|
| 7 | 4 | 1.2 |

Weight

1.2 lbs (approx)

Connection



T (+1) 913-956-4909 **E** sales@brightwell-inc.com **W** brightwell-inc.com/

Brightwell Dispensers Inc. 9858 Britton Street, Lenexa, KS, 66219

All information in this data sheet is correct at the time of printing and is subject to change without notice.