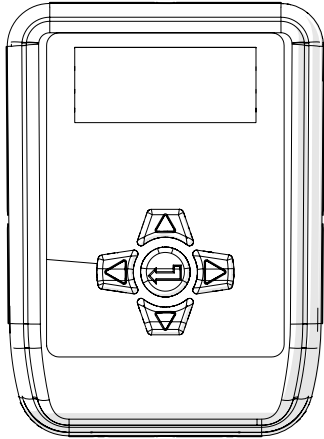




FORMULA SELECTOR MODULE

MULTIPLEX ACCESSORY



Description

Formula Selector Module - Efficient & Reliable Dosing Control

This accessory serves as a versatile and reliable interface designed to seamlessly connect industrial washing machines with the Multiplex dosing system.

- Enables the laundry operator to select the wash formula for each individual washer
- Note: this accessory is not required when the Multiplex system is configured in Automatic Formula Select mode

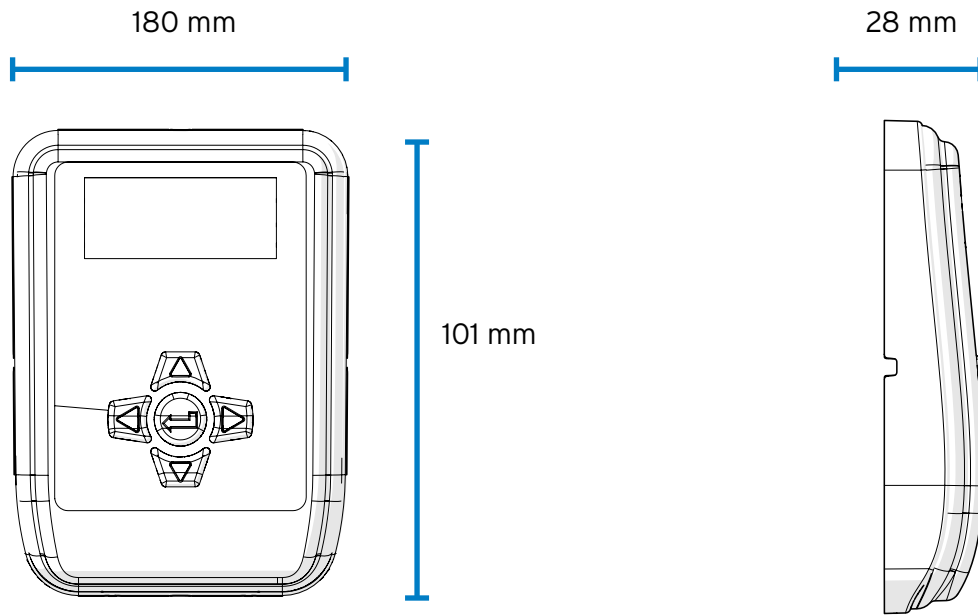
Technical Specifications

	Value
MATERIALS	Cover: Translucent ABS Backing: GPBB 30% bead Buttons: TPE
FORMULAS	Up to 200 formulas
VOLTAGE	24V DC
CONNECTOR	4 way

Details

Part Code	Description	Width	Height
A500FSMP	MULTIPLEX FORMULA SELECTOR	180 mm	101 mm

Diagram



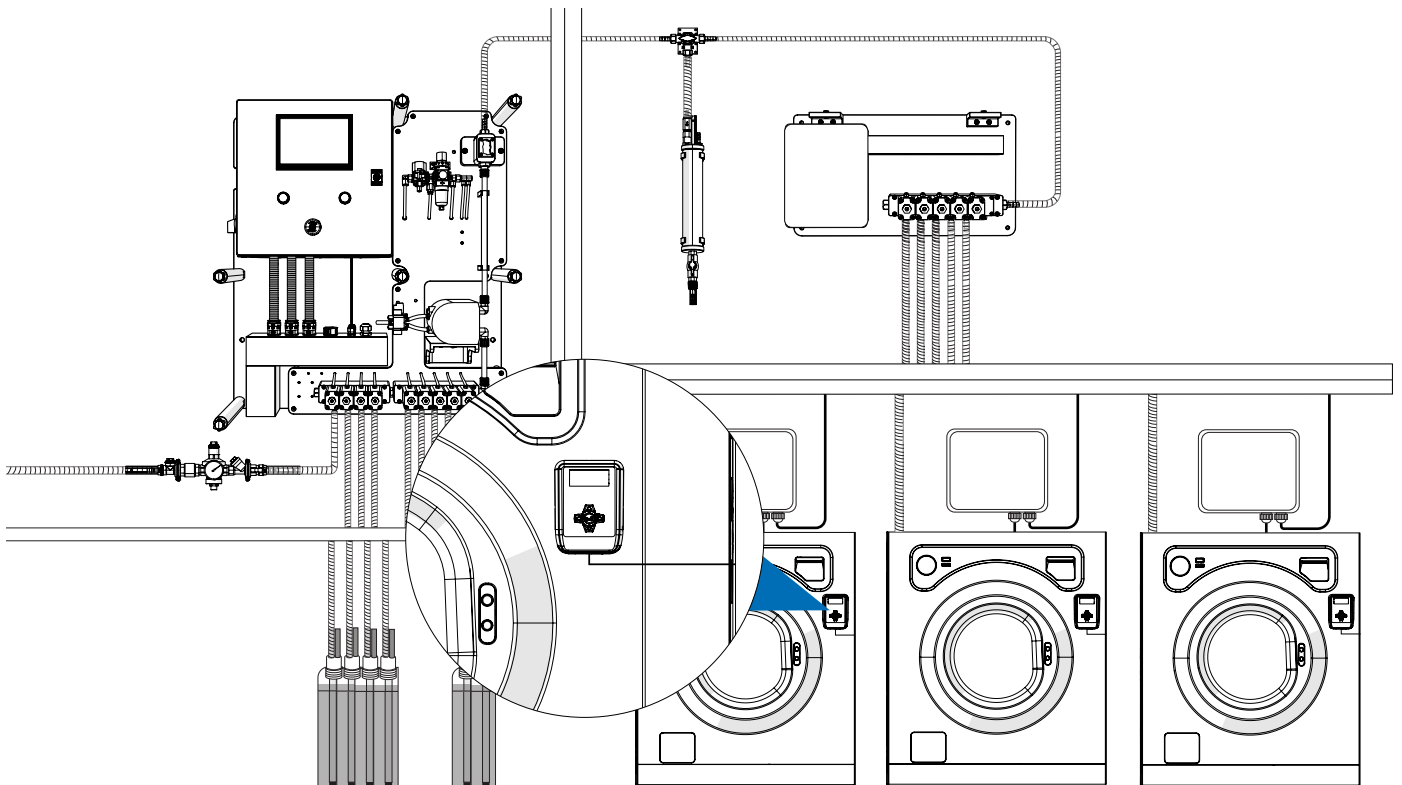
Dimensions (mm)

Width	Height	Depth
180	101	28

Weight

500g (approx)

Connection



T +44 (0) 1273 513566 **E** sales@brightwell.co.uk **W** brightwell.co.uk

Unit 1, Rich Industrial Estate, Avis Way, Newhaven, East Sussex, BN9 0DU, UK

All information in this data sheet is correct at the time of printing and is subject to change without notice.