



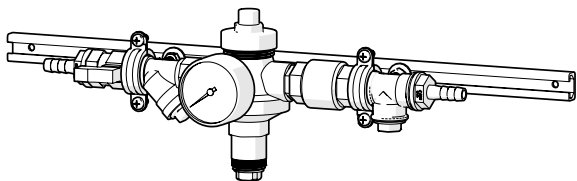
WATER INLET REGULATOR VALVE

MULTIPLEX VALVE ACCESSORY

PRODUCT DATA SHEET

Description

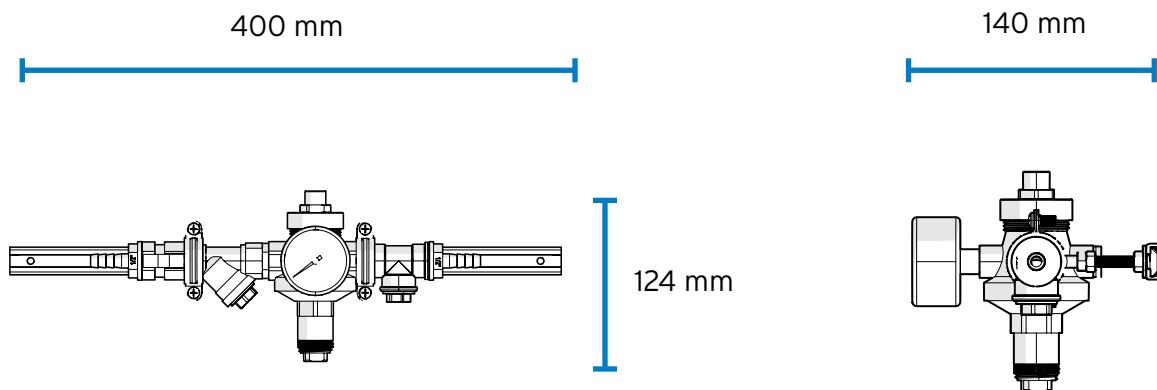
The Water Inlet Regulator Valve is designed for precise control of water flow and pressure in industrial applications. This valve ensures consistent water supply to dosing and washing systems, stabilizing inlet pressure for reliable, accurate operation. Built from high-quality materials to withstand harsh conditions, the Water Inlet Regulator Valve is essential for maintaining optimal system performance in demanding environments.



Technical Specifications

	Value
MATERIAL	PVC Brass
CONNECTOR SIZE	10mm barb
WATER PRESSURE RANGE	(Inlet) 1.5 bar - 4.5 bar (Outlet) - 3 bar regulated 10600L l/h (max)

Diagram



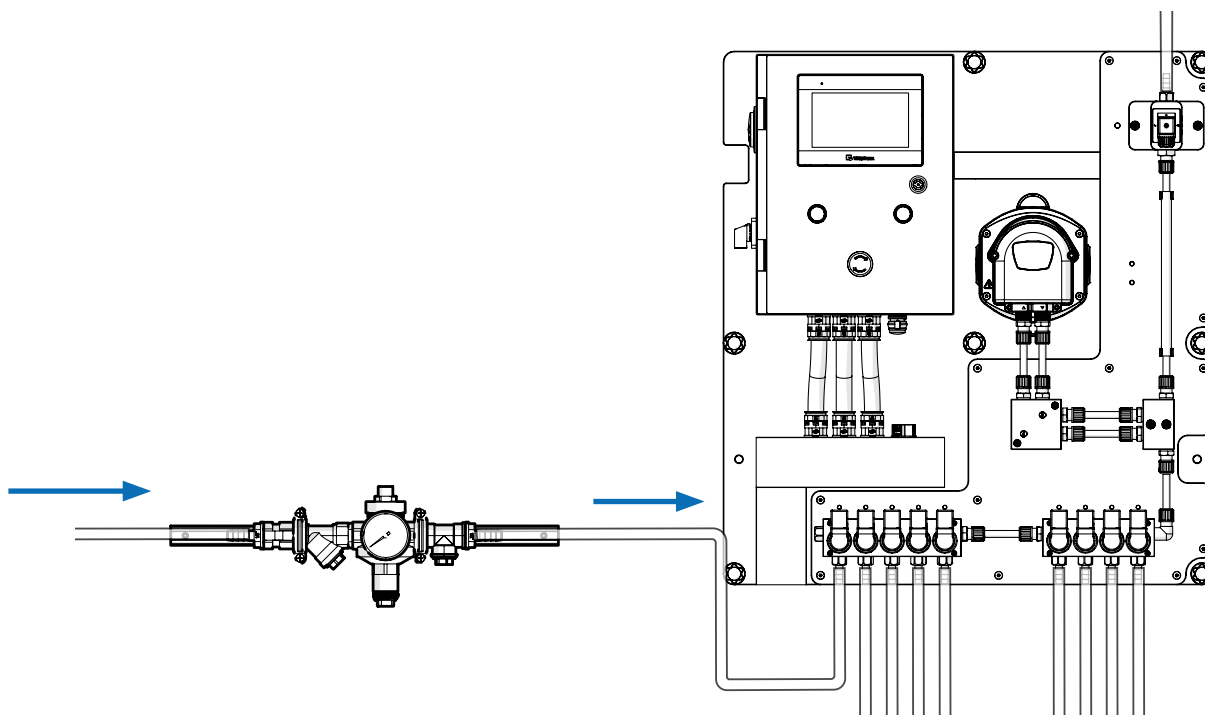
Dimensions (mm)

Width	Height	Depth
400	124	140

Weight

1.5 kg (approx)

Connection



T +44 (0) 1273 513566 **E** sales@brightwell.co.uk **W** brightwell.co.uk

Unit 1, Rich Industrial Estate, Avis Way, Newhaven, East Sussex, BN9 0DU, UK

All information in this data sheet is correct at the time of printing and is subject to change without notice.