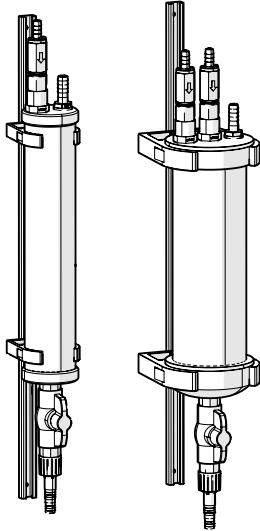




CALIBRATION VASE MULTIPLEX ACCESSORY



Description

The Calibration Vases are precision instruments designed for accurate liquid measurement and calibration in industrial settings. Available in both large and small sizes, these vases are essential for calibrating dosing systems and ensuring accurate liquid flow measurements. Built from durable, chemical-resistant materials, the Calibration Vases are ideal for repeated use in demanding environments such as industrial laundries and chemical dosing systems.

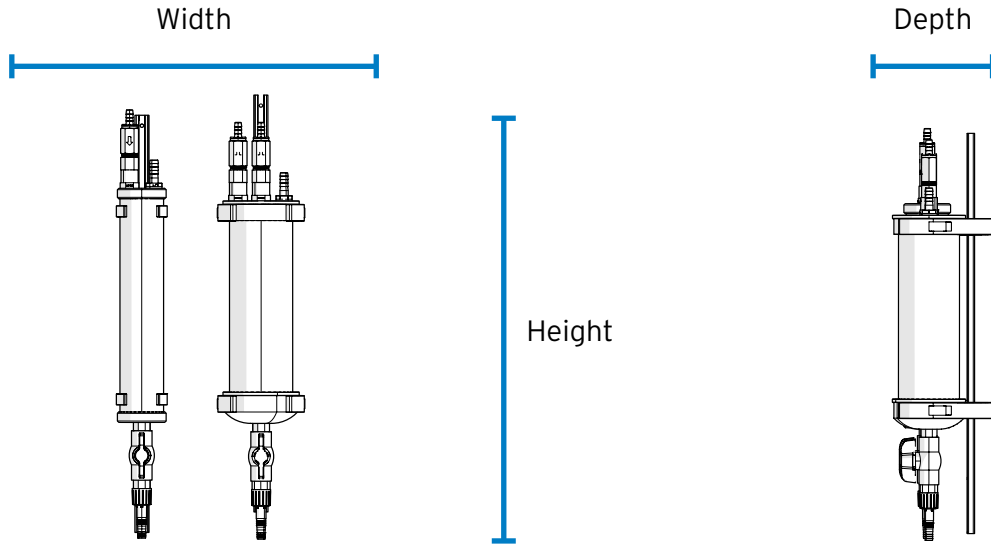
Technical Specifications

	Value
MATERIALS	PVC
TANK CAPACITY	24 Fl. oz 51 Fl. oz
CONNECTOR	3/8 inch connector
NON RETURN VALVE	FKM

Details

Part Code	Description	Length	Diameter
A500MV11800	MEASURING VASE 800 ML	24"	3"
A500MV211500	2 INLETS 1500ML	24"	4"

Diagram



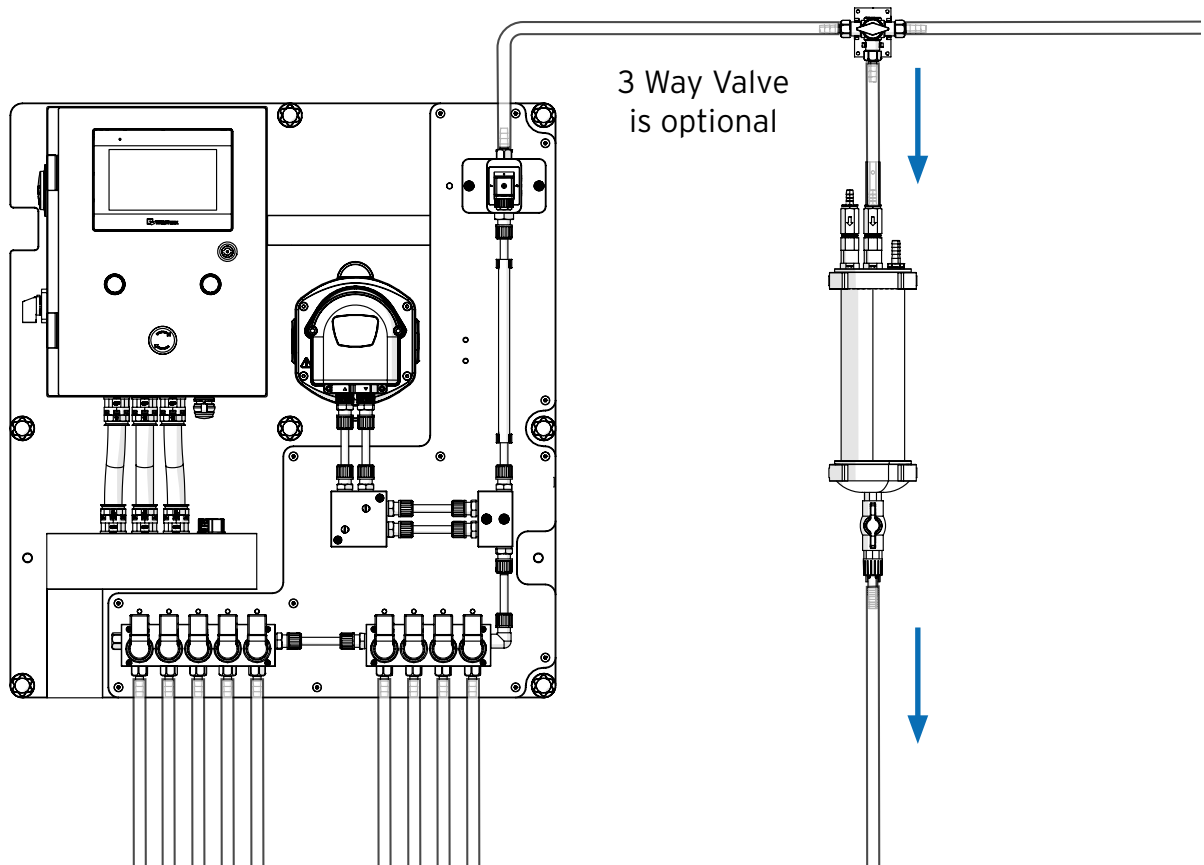
Dimensions (inch)

Model	Width	Height	Depth
24 fl. oz	3	24	4.5
51 fl. oz	5	24	6.5

Weight

24 fl. oz	4 lbs
51 fl. oz	4.5 lbs

Connection



T (+1) 913-956-4909 E sales@brightwell-inc.com W brightwell-inc.com/

Brightwell Dispensers Inc. 9858 Britton Street, Lenexa, KS, 66219

All information in this data sheet is correct at the time of printing and is subject to change without notice.