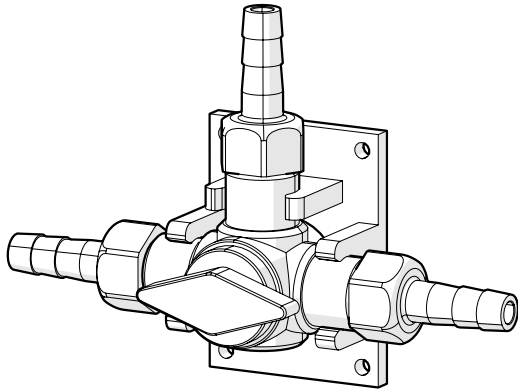




## 3 WAY VALVE MULTIPLEX ACCESSORY



### Description

The 3-Way Valve is designed to streamline calibration and maintenance in industrial laundry systems. By splitting the outlet connection, this valve enables effortless switching between different flow paths, allowing for easy access during calibration without disrupting the overall system operation. Engineered for reliability and durability, the valve is ideal for high-demand environments where precision and control are crucial.

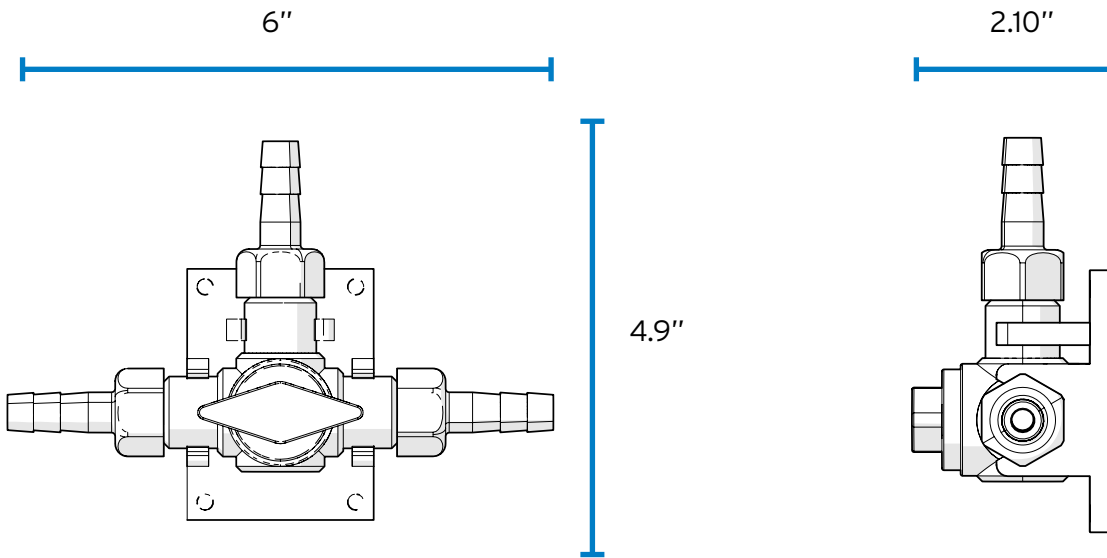
### Technical Specifications

	Value
MATERIAL	PP
CONNECTOR SIZE	3/8" barbed connector

### Details

Part Code	Description	Width	Height
A5003WV	PP 3-WAY VALVE PANEL	152 mm	122 mm

# Diagram



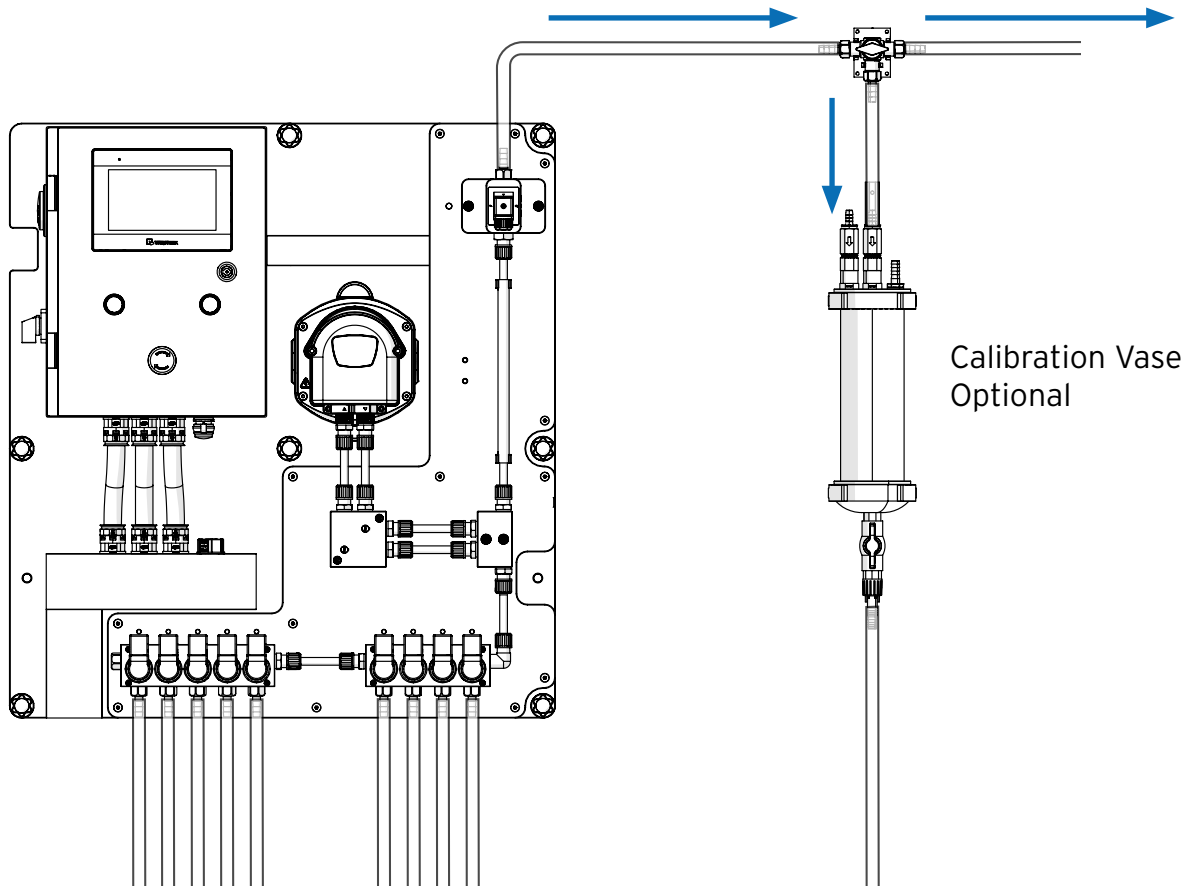
## Dimensions (Inches)

Width	Height	Depth
6	4.9	2.1

## Weight

1.10 lbs (approx)

## Connection



T (+1) 913-956-4909 E sales@brightwell-inc.com W brightwell-inc.com/

Brightwell Dispensers Inc. 9858 Britton Street, Lenexa, KS, 66219

All information in this data sheet is correct at the time of printing and is subject to change without notice.