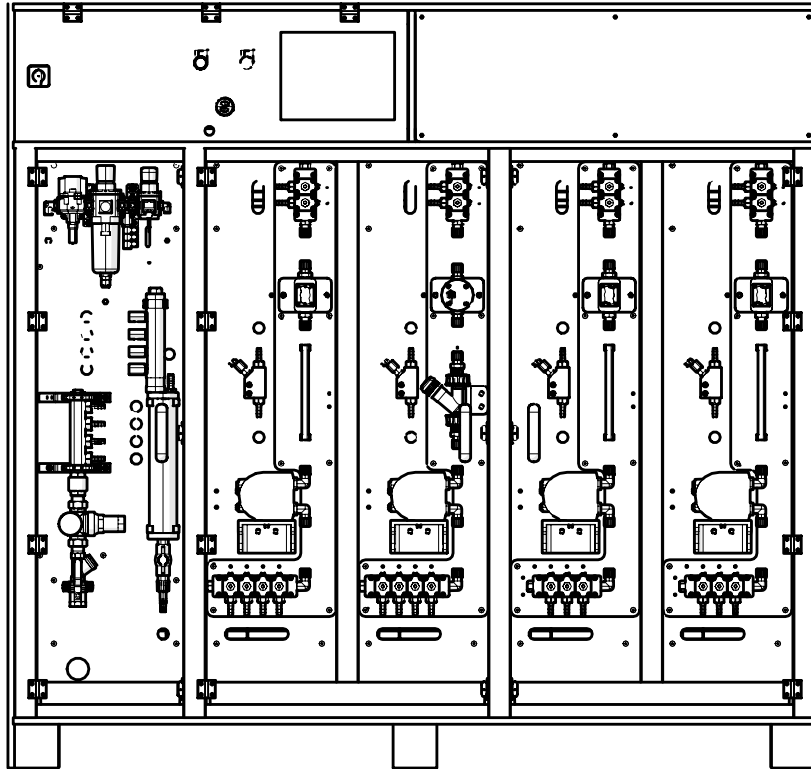




MULTIPLIX TUNNEL

INDUSTRIAL LAUNDRY DOSING SYSTEM



Description

- Dosing system for Industrial Laundry Tunnel - CBW, continuous batch washers
- Modular and scalable.
- Floor mounted system
- Safety focused: built-in features to protect laundry operators
- Reliability: includes rigorous leak testing, chemical compatibility checks, and continuous channel cleaning for secure, accurate dosing
- Uninterrupted Operation: minimized maintenance requirements guarantees peace of mind for laundry managers
- Integrated touch screen: configuration, settings, detailed graphics showing current washing processes, active formulas and phases for each washer along with alarm notifications
- Data management: remote access, immediate settings and configuration, real time monitoring, and operational statistics.
- Tailored and configurable with multiple options to adapt each and every laundry washing process
- Customizable: can be adapted to match customer's corporate identity

Technical Specifications

		Value
INTERACTION	Functions	Configure
		Real-time view
	Interface	Reports
		Password management
		10" Touchscreen (Local)
		Webserver (Local)
		Web Portal
ELECTRIC PARAMETERS	Voltage/Frequency	110-240 VAC / 50-60Hz
	Power	120W
AIR	Working pressure	4 bar
	Air intake	10 mm
	Average consumption	140 L/m for each channel
	Air entrainment	Optional
	Condensation filter	Integrated
PANELS	Material	PVC
PUMPS	Number	1 pump per channel.
		Pneumatic double diaphragm pump
	Flow rate (with water)	5 L/min
	Body	PVDF
	Membranes	PTFE
	Non-return valves	PVDF/FFKM
PRODUCT/WATER VALVES	Voltage	24VDC
	Body	PP
	Closure piston	PTFE
	O-rings	FFKM
FLOW METERS	Standard measuring principle	Paddles + Hall effect sensor
	Signal	24 VDC PNP
	Body	PP
	Palettes	PVDF
	O-rings	FKM
	Alternatives	*Oval Gear not included. Supplied on request. Recommended with chemicals 180cP and above.
DOSING	Distribution	Internal distributor per channel
	Outlet barb diameter	10mm
	Outlet barb material	PVDF
	Fittings (straight / elbows)	PP for pipe 10/12
	Built-in tubes	PTFE 10x12mm
	Recommended pipes for installation	Braided (UK & US) PVC 10x16

T +44 (0) 1273 513566 E sales@brightwell.co.uk W brightwell.co.uk

Unit 9, Euro Business Park, Estate Road, Newhaven, East Sussex BN9 0DQ

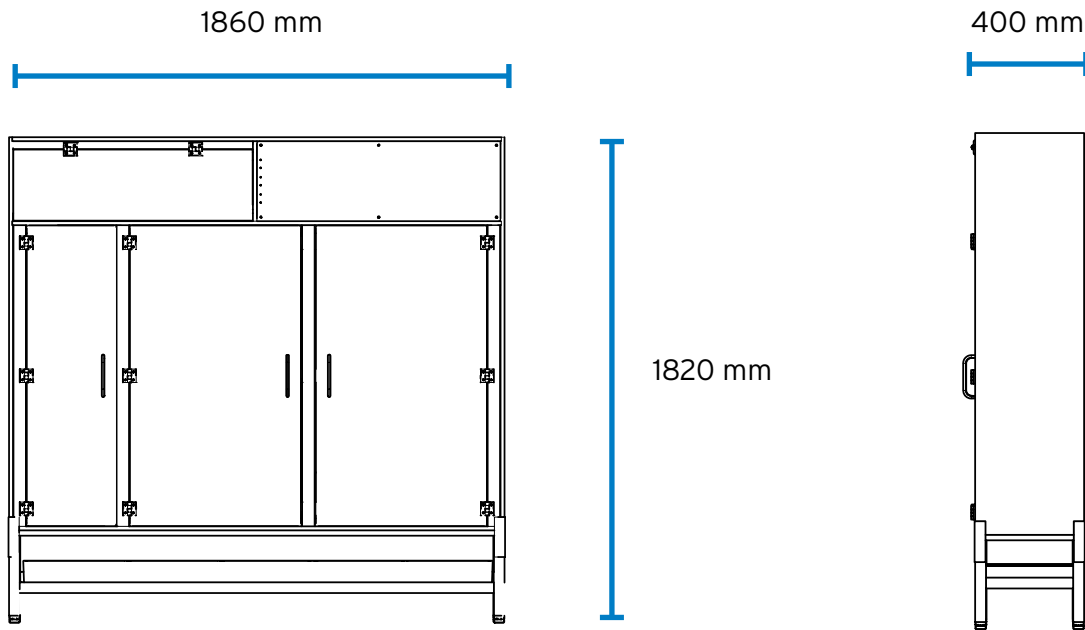
All information in this data sheet is correct at the time of printing and is subject to change without notice.

Revision 1.0
02/2025
B1096EN

Technical Specifications

		Value
CALIBRATION	Mode	Via internal distributor
	Measuring vase	Included
FORMULAS	Number	200
	Dose units	g/kg fl.oz/cw
	Maximum number of doses per module	8

Diagram



Dimensions

Width	1860 mm
Height	1820 mm
Depth	400 mm

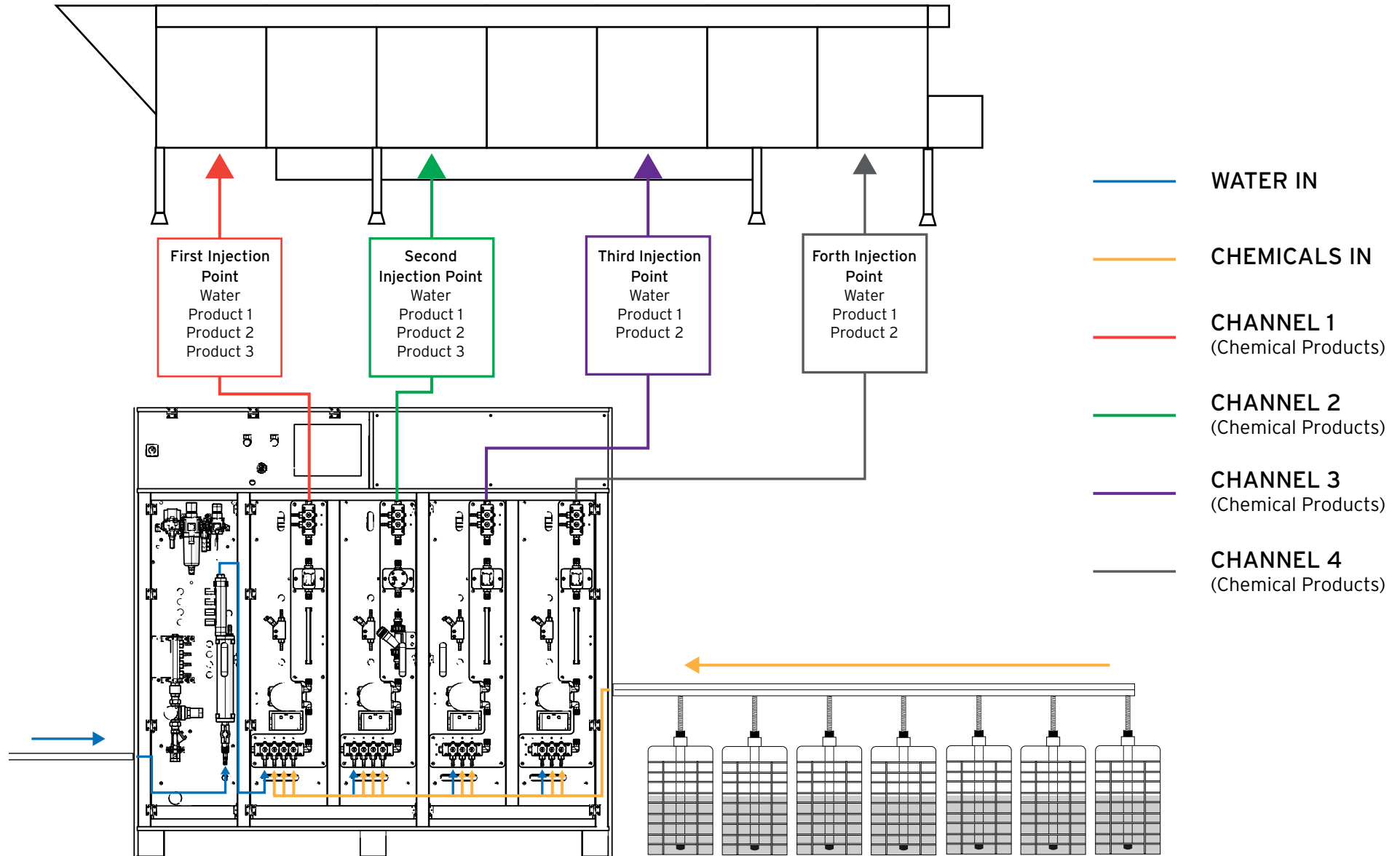
T +44 (0) 1273 513566 **E** sales@brightwell.co.uk **W** brightwell.co.uk

Unit 9, Euro Business Park, Estate Road, Newhaven, East Sussex BN9 0DQ

All information in this data sheet is correct at the time of printing and is subject to change without notice.

Example of setup

12 SECTION TUNNEL WASHER



T +44 (0) 1273 513566 E sales@brightwell.co.uk W brightwell.co.uk

Unit 9, Euro Business Park, Estate Road, Newhaven, East Sussex BN9 0DQ

All information in this data sheet is correct at the time of printing and is subject to change without notice.