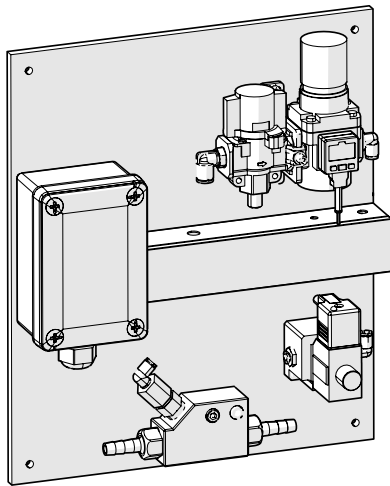




## AIR ASSIST MODULE

### MULTIPLEX ACCESSORY

#### PRODUCT DATA SHEET



### Description

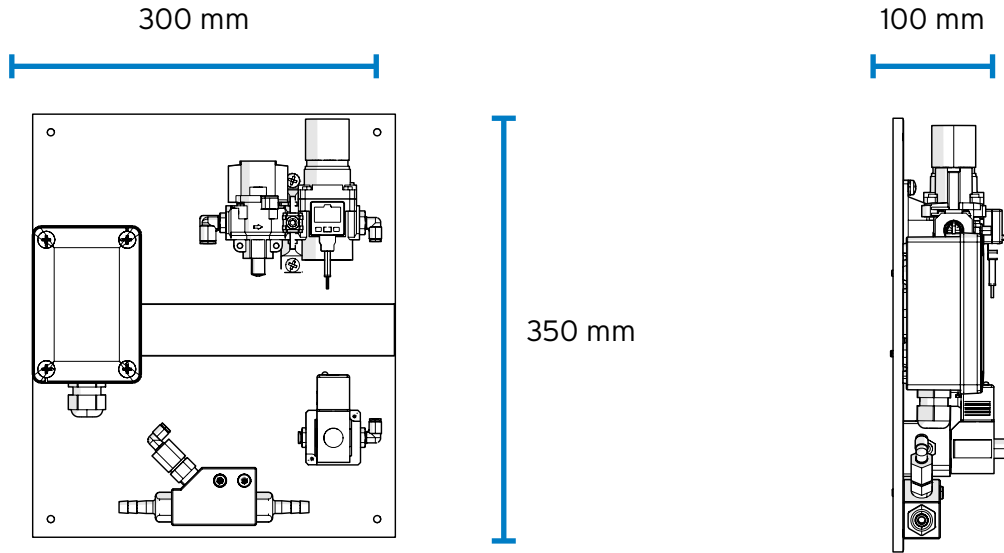
The Air Assist Module is a versatile accessory compatible with the Multiplex 1 Pro, Multiplex 2, and Multiplex 2 Pro, designed to enhance efficiency by flushing products faster than water alone. After completing dosages, the system performs a water flush, followed by an optional air flush using the module, ensuring quicker and more effective transfer to the washer extractor.

Featuring integrated pressure regulators and easy-to-use controls, the module delivers consistent airflow and reliable performance across applications. Built for industrial environments, it optimizes system efficiency while ensuring precise calibration.

### Technical Specifications

|               |                     | Value         |
|---------------|---------------------|---------------|
| AIR           | Working pressure    | 2.5 bar (max) |
|               | Air intake          | 10 mm         |
|               | Average consumption | 700 l/m       |
|               | Air entrainment     | 8 mm          |
| PANELS        | Material            | PVC           |
| AIR INJECTOR  | Body                | PVDF          |
| ELECTRO VALVE | Voltage/Frequency   | 24 VDC        |
|               | Power               | 120W          |

# Diagram



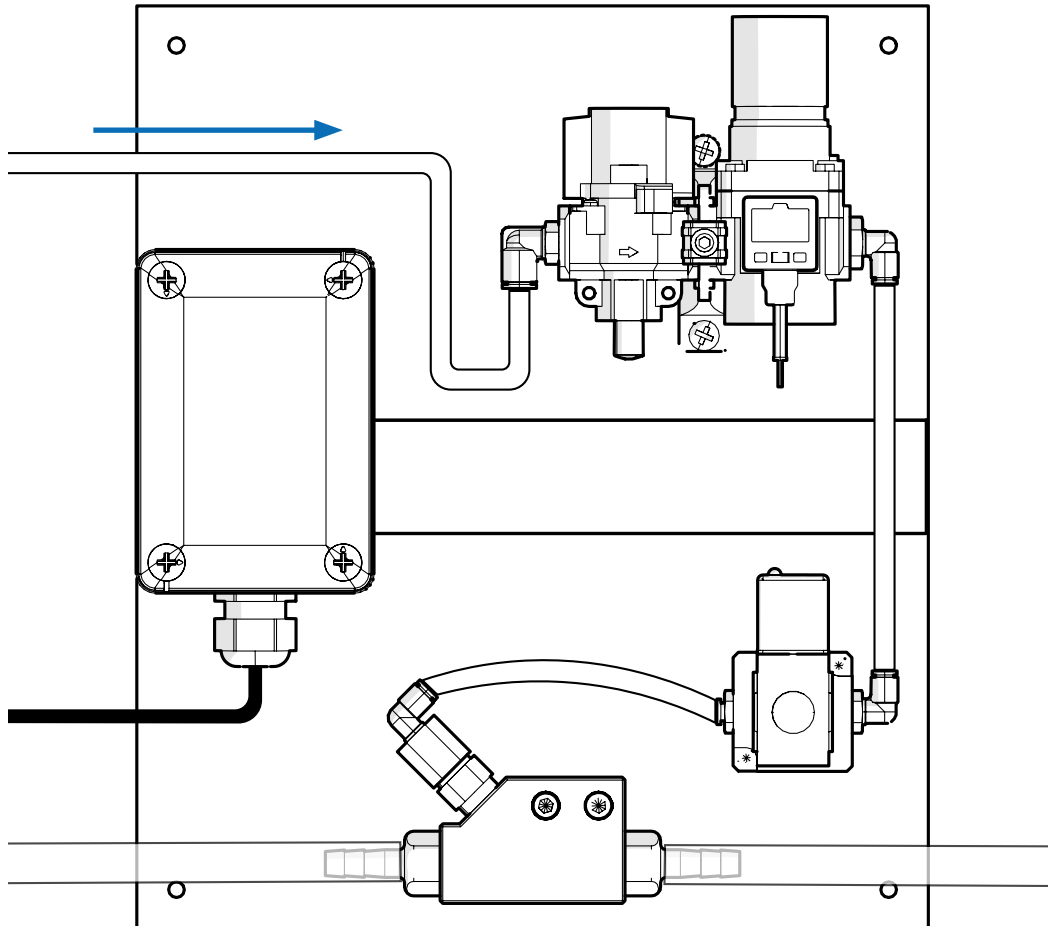
## Dimensions (mm)

| Width | Height | Depth |
|-------|--------|-------|
| 300   | 300    | 100   |

## Weight

0.5 kg (approx)

## Connection



T +44 (0) 1273 513566 E sales@brightwell.co.uk W brightwell.co.uk

Unit 1, Rich Industrial Estate, Avis Way, Newhaven, East Sussex, BN9 0DU, UK

All information in this data sheet is correct at the time of printing and is subject to change without notice.