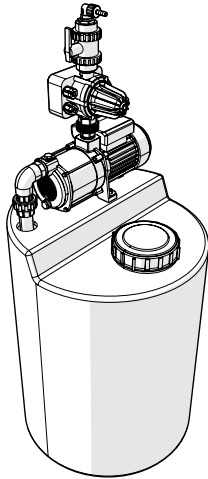




BOOSTER TANK

BOOSTER TANK UNIT

PRODUCT DATA SHEET



Description

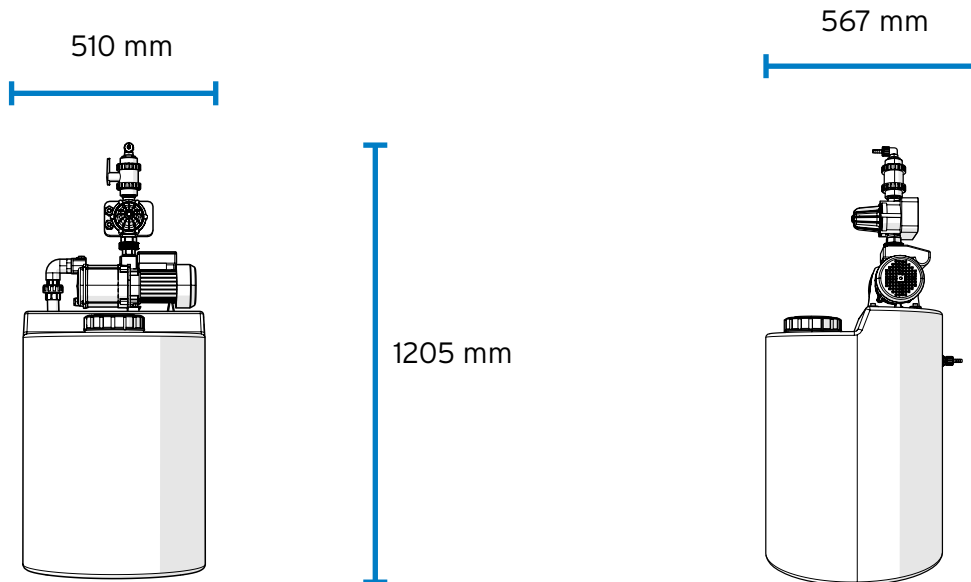
Introducing our booster tank, designed specifically to ensure a reliable supply of water into our Multiplex laundry dosing range. Installing a booster tank is optional, however, recommended whenever the water pressures/supplies are not in-line with our dosing units requirements. Our booster tank unit connects seamlessly to the multiplex unit and ensure optimal water pressure and flow are maintained during dosages.

Having a suitable water supply is essential to the efficiency of the dosage process and ultimately optimizing the wash performance.

Technical Specifications

	Value
MATERIALS	Tank: Polyethylene Pump: Molten Iron, INOX and EDPM
CONNECTORS	Material: Brass and PVC Connector: 3/8" - Tubing 10mm
TANK CAPACITY	120L
PRESSURE RANGE	(Inlet) 1.5 bar - 4.5 bar (Outlet) - 3 bar regulated 10600L l/h (max)
POWER	230 VAC 0.5kW 4A

Diagram



Dimensions (mm)

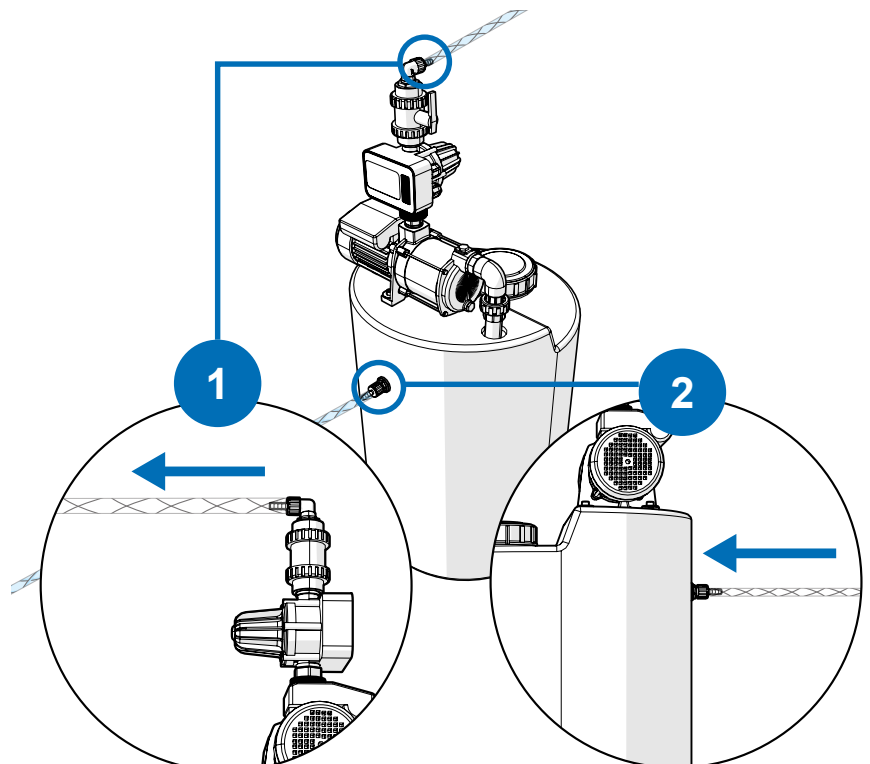
Width	Height	Depth
510	1205	567

Weight (No water)

20 kg (approx)

Connection

- 1 Water Outlet 10mm 3/8" (3 bar regulated)
- 2 Water Inlet 10mm 3/8"



T +44 (0) 1273 513566 **E** sales@brightwell.co.uk **W** brightwell.co.uk

Unit 1, Rich Industrial Estate, Avis Way, Newhaven, East Sussex, BN9 0DU, UK

All information in this data sheet is correct at the time of printing and is subject to change without notice.