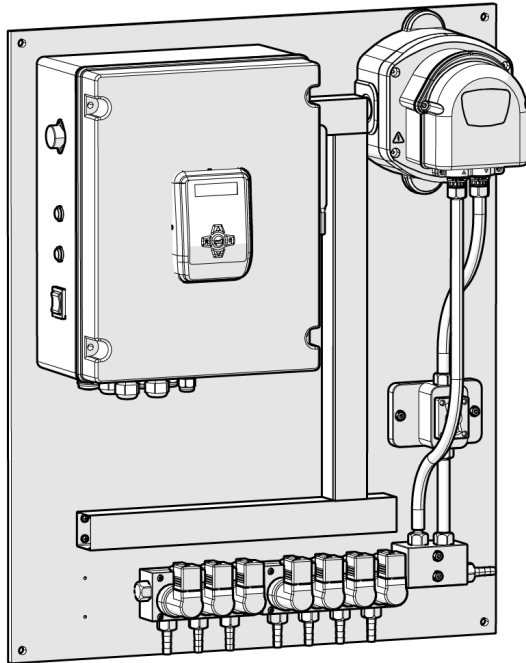




## MULTIPLEX 1 PRO

### LAUNDRY DOSING SYSTEM INDUSTRIAL

PRODUCT DATASHEET



### Description

The Multiplex 1 Pro unit is designed to cater to a wide range of laundry sizes, serving establishments with up to 10 washing machines. With safety as a top priority, the Multiplex dosing system incorporates several key features to ensure peace of mind for operators. From rigorous leak and water testing protocols to comprehensive chemical compatibility checks, Multiplex guarantees a secure dosing routine. Its innovative design also includes continuous channel cleaning with water, effectively minimizing maintenance requirements and ensuring uninterrupted operation, making it ideal for laundromats or establishments seeking reliable and low-maintenance performance. Available in with both electric and pneumatic set-ups to accommodate any site and laundry configuration.

### Technical Specifications

		Value	
UNIT	Maximum of products	8	
	Maximum number of washing machines	10	
INTERACTION	Functions	Configure Real-Time View Reports Password Management	
	Interface	Webserver (Local) Web Portal Basic screen for washer status and alerts	
	ELECTRICAL PARAMETERS	Voltage / Frequency	110-240 VAC / 50-60Hz
		Power	108W

# Technical Specifications

	Value	
WATER	Pressure in dynamic regime	1.5 bar (min) - 3 bar (max) Not included. Supplied on request. Recommended.
	Flow rate range	min 2/l per min - max 10/l per min
	Inlet connection	Barb 10mm
	Maximum temperature	< 30 ° C
	Recommended hardness	< 8°dH
	Booster tank	Not included. Supplied on request. Recommended.
	Water Pressure Regulator	Included
AIR (For pneumatic models)	Working pressure	4 bar
	Air intake	10 mm
	Average consumption	140 l/m
	Air entrainment	Optional
	Condensation filter	Integrated
PUMPS	Number	1 pump per channel. Main channel: electric diaphragm ( <i>depending on setup</i> ) Pneumatic double diaphragm pump ( <i>depending on setup</i> )
	Flow rate (with water)	1.5 litres/minute (Electric) 2.5 litres/minute (Pneumatic)
	Body	PVDF
	Membranes	PTFE
	Non return valves	PVDF/FFKM
PRODUCT/WATER VALVES	Voltage	24VDC
	Body	PP
	Closure piston	PTFE
	O-rings	FFKM
FLOW SENSOR	Standard measuring principle	Paddles and Hall effect sensor.
	Signal	24 VDC PNP
	Body	PP
	O-rings	FFKM
	Paddles	PVDF
Alternative	*Oval gear not included. Supplied on request. Recommended with chemicals 180cP or higher.	
DOSING	Distribution	External distributor
	Outlet barb diameter	10 mm
	Outlet barb material	PVDF
	Built-in tubes	EVA tube 10x16 mm & PTFE 10x12mm
	Recommended pipes for installation	Braided (UK & US) PVC 10x16

T +44 (0) 1273 513566 E sales@brightwell.co.uk W brightwell.co.uk

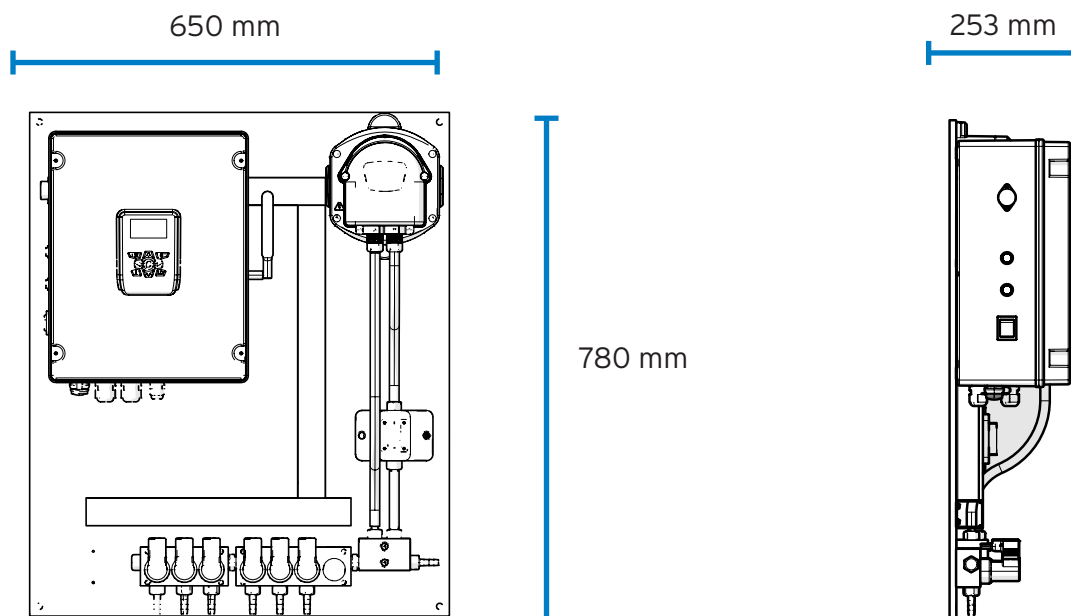
Unit 1, Rich Industrial Estate, Avis Way, Newhaven, East Sussex, BN9 0DU, UK

All information in this data sheet is correct at the time of printing and is subject to change without notice.

Revision 1.2  
12/2024  
BIO76EN

		Value
CALIBRATION	Mode	Via distributor
	Measuring type	Not included * Recommended. 3 way valve or measuring vase accessories available for purchase.
FORMULAS	Number	200
	Dose units	g/kg fl.oz/cw
	Maximum number of doses per phase	6
STATISTICS	Data	Cloud synchronisation Onboard storage
	Information	Production in load and cycles
		Consumption and product cost
		OEE
REMOTE ACCESS	Availability	Data always available on the web portal and the possibility to make changes at any time, with instant synchronisation
	Router *Internet access	Not included in the equipment
PANELS	Material	PVC

## Dimensions and Weight



### Dimensions

Width	650 mm
Height	780 mm
Depth	253 mm

### Weight

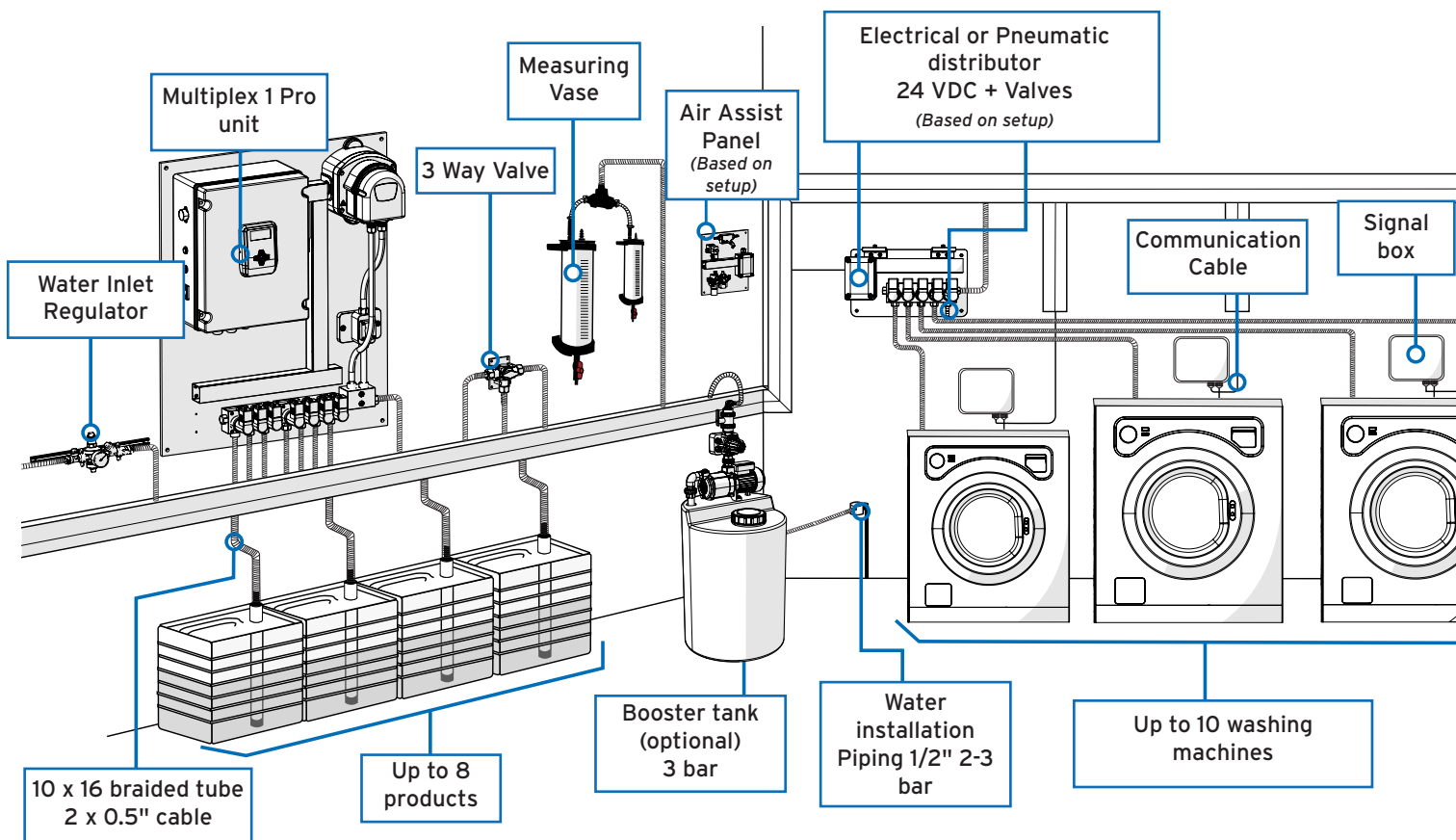
Unit	20.6 kg
------	---------

**T** +44 (0) 1273 513566 **E** sales@brightwell.co.uk **W** brightwell.co.uk

Unit 1, Rich Industrial Estate, Avis Way, Newhaven, East Sussex, BN9 0DU, UK

All information in this data sheet is correct at the time of printing and is subject to change without notice.

## Example of Recommended Setup



**T** +44 (0) 1273 513566 **E** sales@brightwell.co.uk **W** brightwell.co.uk

Unit 1, Rich Industrial Estate, Avis Way, Newhaven, East Sussex, BN9 0DU, UK

All information in this data sheet is correct at the time of printing and is subject to change without notice.

Revision 1.2  
12/2024  
B1076EN